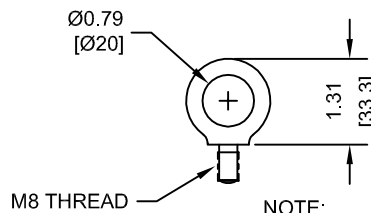
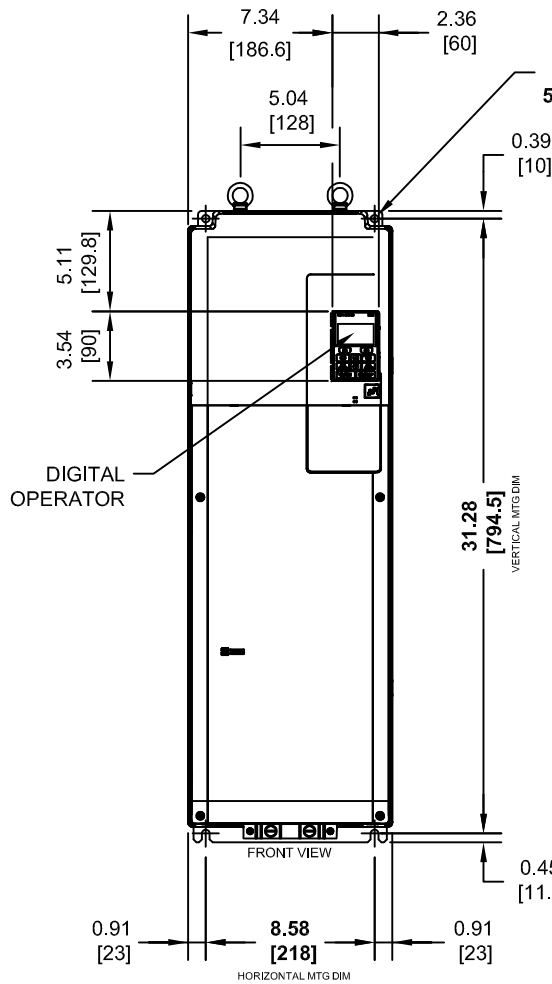


LIFTING AND EYEBOLT DETAILS



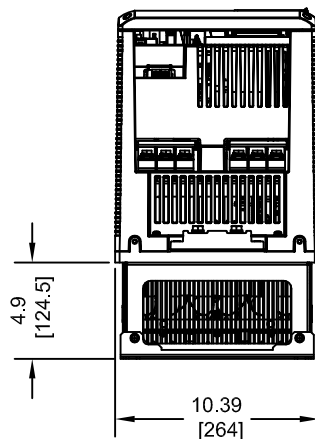
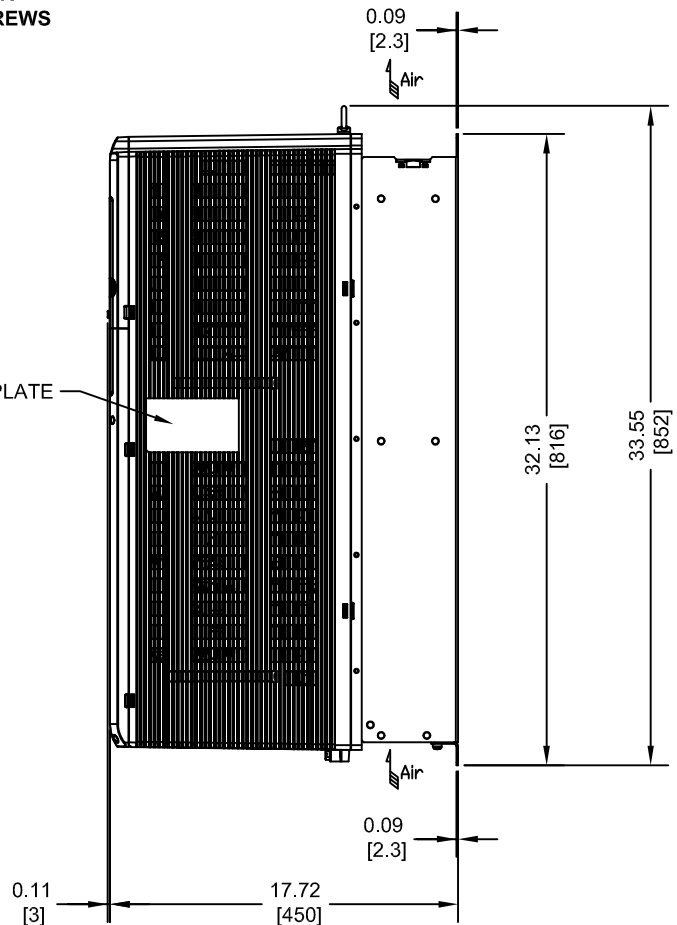
NOTE:  
SPREADER BAR REQUIRED TO AVOID DAMAGE DURING LIFTING



(4)-MOUNTING HOLES FOR 5/16" [M8] SCREWS

DIGITAL OPERATOR

NAMEPLATE



MODEL # CIMR-UU	VOLTAGE 3-PHASE (VAC)	OUTPUT CURRENT (A)		WEIGHT LBS (Kg)	WEIGHT WITH EMC FILTER LBS (Kg)	HEAT LOSS (W)					
		ND	HD			ND (Fc=4kHz)			HD (Fc=4kHz)		
						INT	EXT	TOT	INT	EXT	TOT
2Y0104AXX	200/240	104	81	132 (60)	139 (63)	282	1696	1978	234	1313	1547
2Y0130AXX		130	104	132 (60)	139 (63)	341	2157	2498	280	1673	1953
4Y0096AXX	380/500*	96	77	132 (60)	139 (63)	290	1715	2005	247	1373	1620
4Y0124AXX		124	96	132 (60)	139 (63)	362	2256	2618	290	1693	1983

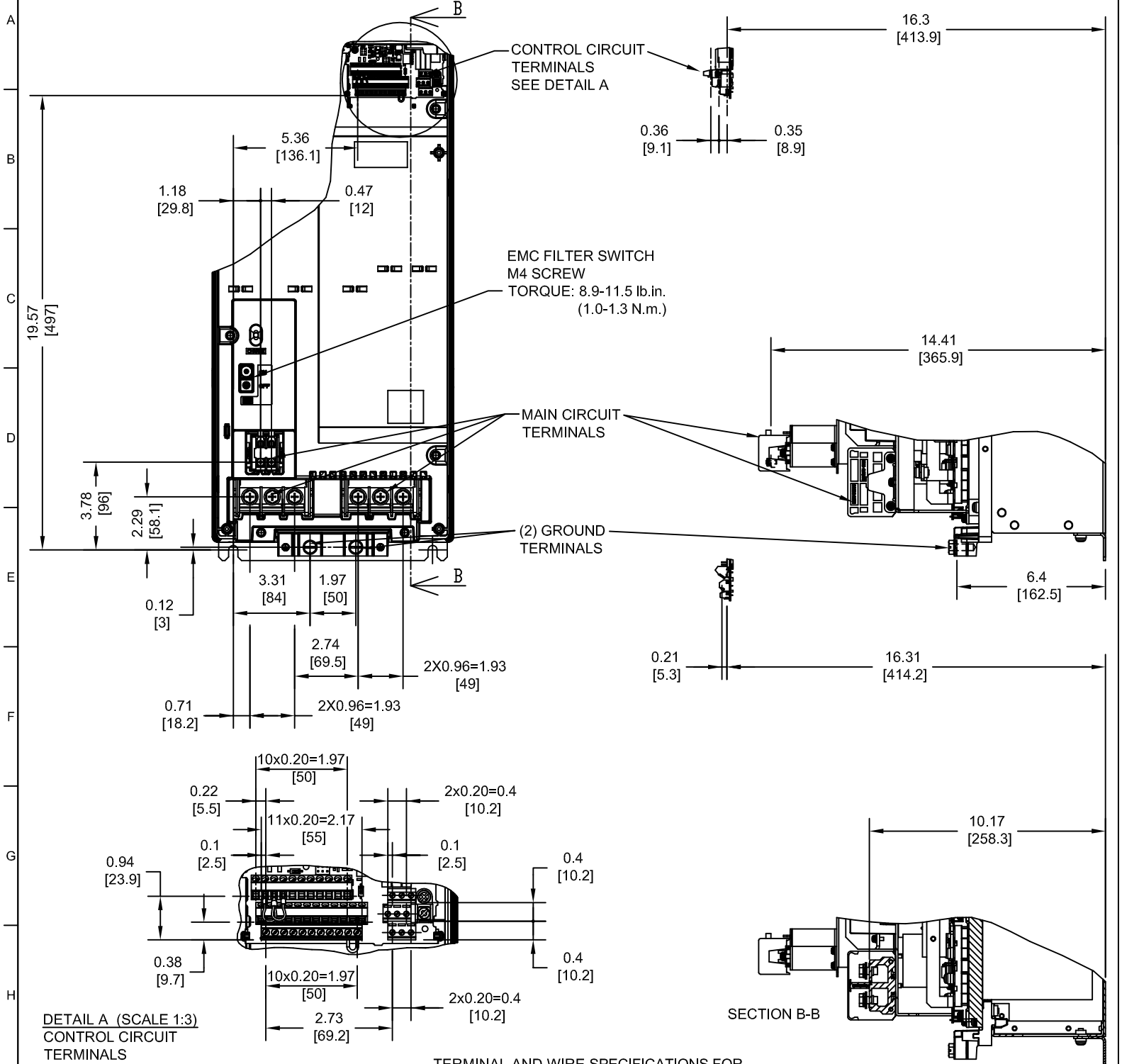
NOTES:  
Y DENOTES A-Z  
XX DENOTES AA-ZZ  
\* - FOR MODELS WITH INTEGRAL EMC FILTER,  
VOLTAGE RATING IS 380/480.

INT=INTERNAL COMPONENTS  
EXT=EXTERNAL HEATSINK  
TOT=TOTAL

FOR ADDITIONAL DETAILS AND SPECIFICATIONS, CONSULT MANUAL

TOLERANCES / REFERENCES:			DRAWN: J. MATTAS DATE: 10-31-14	TITLE: U1000 DIMENSION DRAWING FRAME SIZE 3 IP00 ENCLOSURE
UNITS: IN[mm]	SCALE: 1:10		CHECKED: J. PIOTROWSKI DATE: 11-19-14	TECH: J. BORJA DATE: 11-20-14
THIS DOCUMENT AND INFORMATION CONTAINED IN IT ARE CONFIDENTIAL, AND CANNOT BE COPIED OR DISCLOSED IN WHOLE OR IN PART WITHOUT THE EXPRESS WRITTEN CONSENT OF YASKAWA AMERICA, INC.		APPROVED: J. CAIRO DATE: 12-11-14	ORIGINAL DESIGN: - DATE: -	DRAWING #: DD.U1K.FR3.IP00

TERMINAL AND WIRING DETAILS (SCALE 1:6)



DETAIL A (SCALE 1:3)  
CONTROL CIRCUIT TERMINALS

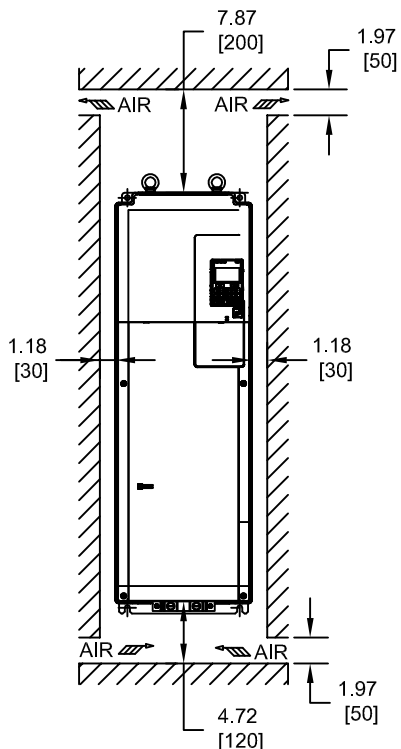
TERMINAL AND WIRE SPECIFICATIONS FOR MAIN CIRCUIT AND GROUND

MODEL # CIMR-UU	TERMINAL SYMBOL	TERMINAL SCREW	CLAMPING TORQUE lb.in.(N.m.)	WIRE RANGE AWG(mm <sup>2</sup> )
2A0104	R/L1, S/L2, T/L3	M8	70.8 TO 88.5 (8 TO 10)	10 TO 1/0 (6 TO 50)
2A0130	U/T1, V/T2, W/T3			
4A0096	p1, n1	M4	10.6 TO 17.7 (1.2 TO 2.0)	14 TO 12 (2.5 TO 4)
4A0124	⊕	M8	78.1 TO 95.5 (8.8 TO 10.8)	4 TO 1 (25 TO 35)

NOTE: REFER TO APPLICABLE CODES FOR PROPER WIRE TYPE AND SIZE

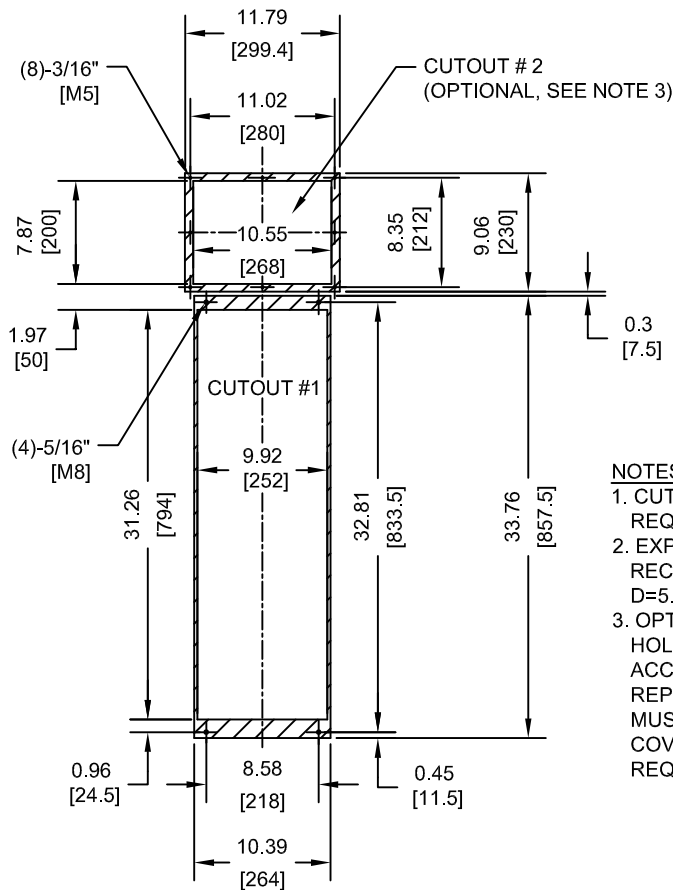
TOLERANCES / REFERENCES:		<p>THIS DOCUMENT AND INFORMATION CONTAINED IN IT ARE CONFIDENTIAL, AND CANNOT BE COPIED OR DISCLOSED IN WHOLE OR IN PART WITHOUT THE EXPRESS WRITTEN CONSENT OF YASKAWA AMERICA, INC.</p>	DRAWN: J. MATTAS	DATE 10-31-14	TITLE: U1000 DIMENSION DRAWING FRAME SIZE 3 IP00 ENCLOSURE 2A0104, 2A0130, 4A0096 AND 4A0124
UNITS: IN[mm]			CHECKED: J. PIOTROWSKI	DATE 11-19-14	
SCALE: BY VIEW			TECH: J. BORJA	DATE 11-20-14	
			APPROVED: J. CAIRO	DATE 12-11-14	
		ORIGINAL DESIGN:	DATE		SIZE A
					REVISION R01
					PAGE 2 of 3
					DRAWING #: <b>DD.U1K.FR3.IP00</b>

MINIMUM INSTALLATION CLEARANCES (SCALE 1:15)



NOTE:  
FOR SIDE-BY-SIDE MOUNTING  
CONSULT MANUAL

PANEL CUTOUT FOR EXTERNAL HEATSINK  
MOUNTING CONFIGURATION (SCALE 1:15)



NOTES:

- CUTOUT #1: EXTERNAL HEATSINK, REQUIRES MOUNTING KIT
- EXPOSED HEATSINK RECOMMENDED CLEARANCE D=5.51"
- OPTIONAL CUTOUT #2 IS AN ACCESS HOLE TO ALLOW FOR FRONT ACCESS DURING HEATSINK COOLING FAN REPLACEMENT. THE PANEL BUILDER MUST SUPPLY THE APPROPRIATE COVER PLATE AND HARDWARE REQUIRED TO CLOSE THIS OPENING.

FOR ADDITIONAL DETAILS AND SPECIFICATIONS, CONSULT MANUAL

TOLERANCES / REFERENCES:			DRAWN: J. MATTAS	DATE: 10-31-14	TITLE: U1000 DIMENSION DRAWING	
UNITS: IN[mm]	SCALE: BY VIEW		CHECKED: J. PIOTROWSKI	DATE: 11-19-14	FRAME SIZE 3 IP00 ENCLOSURE	
THIS DOCUMENT AND INFORMATION CONTAINED IN IT ARE CONFIDENTIAL, AND CANNOT BE COPIED OR DISCLOSED IN WHOLE OR IN PART WITHOUT THE EXPRESS WRITTEN CONSENT OF YASKAWA AMERICA, INC.		TECH: J. BORJA	DATE: 11-20-14	2A0104, 2A0130, 4A0096 AND 4A0124		
		APPROVED: J. CAIRO	DATE: 12-11-14	SIZE: A	REVISION: R01	PAGE: 3 of 3
		ORIGINAL DESIGN: -	DATE: -	DRAWING #: <b>DD.U1K.FR3.IP00</b>		